

Panasonic®

Super Dynamic II Color Surveillance Cameras with Low-Light B/W Mode **WV-CP470 Series**

Lens : optional



A NEW HIGH END COLOR CAMERA WITH 24-HOUR SURVEILLANCE AND MULTIFUNCTION FEATURES.

Panasonic introduces the WV-CP470 Series cameras. Always on the job, these cameras automatically switch from color, in daytime, to high sensitivity black and white at night. With full 24-hour surveillance capabilities, features include, motion detection and error free title displays.

With 480 lines of horizontal resolution, in color mode, and 570 lines in black and white, the WV-CP470 Series defines high definition. It can operate in color mode at 0.8 lx (0.08 fc), using a F1.4 lens. In black and white mode sensitivity is an amazing 0.1 lx (0.01 fc). Plus, its linear sensitivity can be electronically enhanced up to 32 times. With **Super Dynamic II** capabilities, the WV-CP470 Series make it possible to obtain clear images of subjects in extreme lighting conditions. A built-in alarm output terminal makes connection to an extreme sensor a snap.

Indoors, outdoors and under the toughest conditions, the WV-CP470 Series provides constant and reliable surveillance.

Key Features

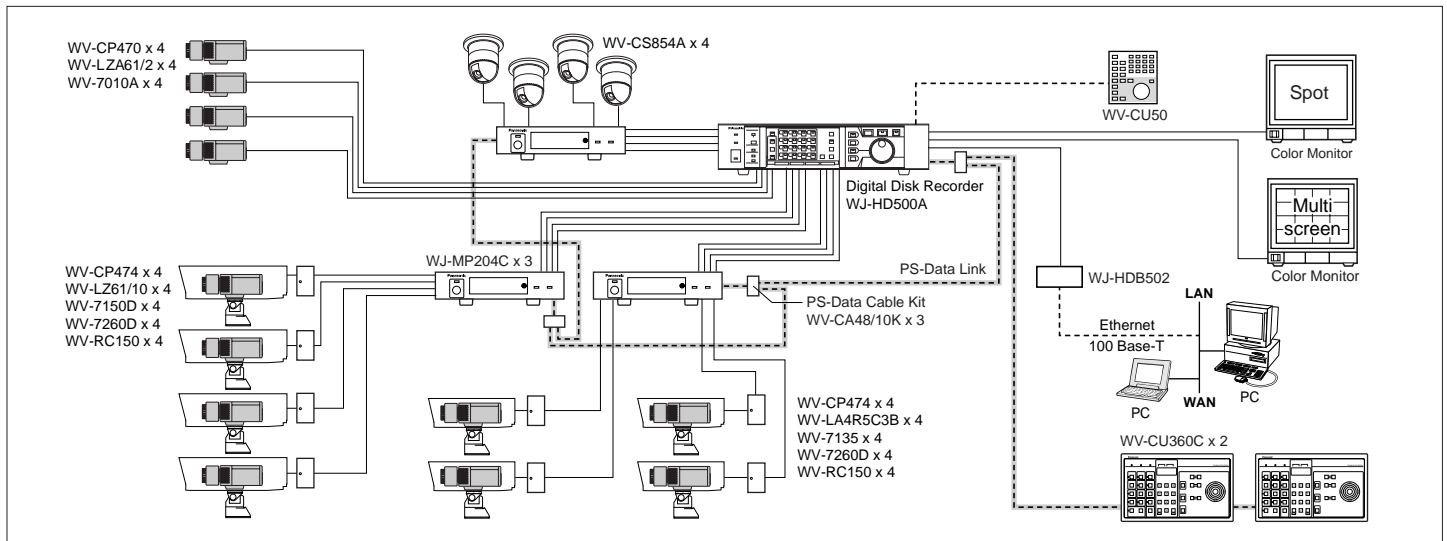
- 1/3-type double speed CCD color image sensor.
- Switches from selected color mode to B/W mode, automatically or manually.

- Built-in **Super Dynamic II** function has 64 times wider dynamic range when compared to a conventional camera.
- Super sensitivity of 0.8lx (0.08fc) at F1.4 in color mode, and 0.1lx (0.01fc) at F1.4 in B/W mode.
- 480-line resolution in color mode, and 570-line in B/W mode.
- Signal to noise ratio of 50dB.
- ELC function enables the use of fixed iris lens for indoor applications.
- Built-in Alarm output connector for external sensors.
- Built-in digital motion detector.
- Built-in 16 alphanumeric character display.
- Electronic shutter from 1/60 to 1/10,000 sec.
- Electronic sensitivity enhancement (Auto; up to 10x, Manual; up to 32x, and Off)
- Digital signal processing LSI's for high quality pictures:
 - 2H vertical enhancement, chroma averaging circuit, minimum of aliasing, knee circuit, and highlight aperture correction.
- Gen-lock connector for the large system applications.
- VD2 sync capability with Panasonic system products.
- Accepts both AC 24V & DC 12V for WV-CP474 camera model.

WIDE VARIETY OF OPTIONAL LENSES

| Auto Iris Lenses | High-Speed Lenses | Zoom Lenses | Vari-focal Lenses |
|---|---|---|---|
| WV-LA2R8C3B WV-LA4R5C3B WV-LA9C3B | WV-LA210C3 WV-LA408C3 WV-LA908C3 | WV-LZ61/10 (x10) WV-LZ61/15 (x15) | WV-LZA61/2 WV-LZF61/2 WV-LZ62/2 WV-LZ62/8 |
|  |  |  |  |

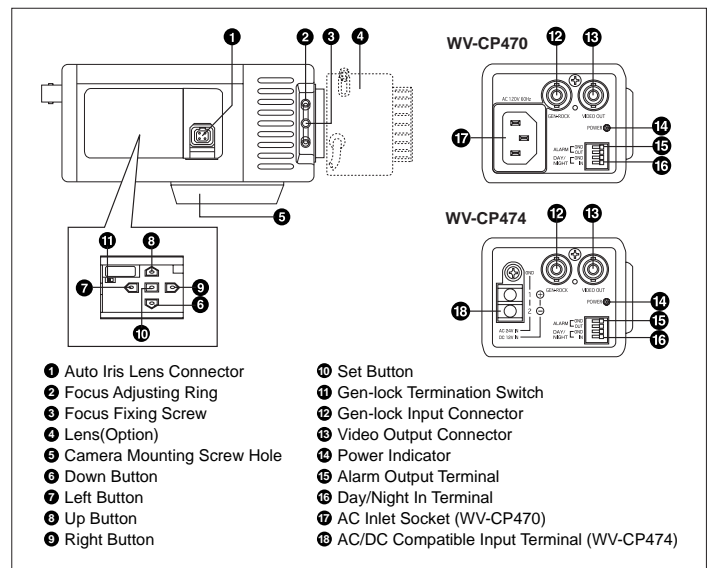
SYSTEM EXAMPLE







SPECIFICATIONS

| Model No. | WV-CP470 | WV-CP474 |
|---|---|------------------------------------|
| Pick-up Device | 771(H) x 492(V) pixels, Interline Transfer CCD | |
| Scanning Area | 4.8(H) x 3.6(V) mm (Equivalent to scanning area of 1/3" pick-up tube) | |
| Scanning | 525 lines/60 fields/30 frames Horizontal: 15.734 kHz Vertical: 59.94 Hz | |
| Synchronization | Internal, Line-locked, External (VS/VBS) or Multiplexed Vertical Drive (VD2) selectable | |
| Video Output | 1.0V[p-p] NTSC composite 75Ω/BNC connector | |
| Horizontal Resolution | 480 lines (C/L), 570 lines (B/W) | |
| Signal-to-Noise Ratio | 50dB (Equivalent to AGC Off, weight On) | |
| Dynamic Range | 46dB | |
| Minimum Illumination | 0.8 lx (0.08 fc) at F1.4 (C/L), 0.1 lx (0.01 fc) at F1.4 (B/W) | |
| Gain Control | ON (DNR-H), ON (DNR-L) or OFF (SET UP MENU) selectable | |
| White Balance | ATW1, ATW2 or AWC (SET UP MENU) selectable | |
| Aperture | Set Variable (SET UP MENU) | |
| Electronic Light Control | Equivalent to continuous variable shutter speeds between 1/60s and 1/10,000s | |
| Super Dynamic II | ON or OFF (SET UP MENU) selectable | |
| Electronic Shutter Speed | 1/60(OFF), 1/100, 1/250, 1/500, 1/1,000, 1/2,000, 1/4,000, 1/10,000s selectable | |
| Lens Mount | CS-mount (supplied with C-mount adapter) | |
| ALC Lens | DC or Video selectable | |
| Ambient Operating Temperature | -10°C ~ +50°C (14°F ~ 122°F) | |
| Ambient Operating Humidity | Less than 90% | |
| Power Source and Power Consumption | 120V AC 60Hz, 4.8W | 24V AC 60Hz, 4.3W 12V DC, 440mA |
| Dimensions | 70(W) x 65(H) x 128(D) mm [2-3/4"(W) x 2-9/16"(H) x 5-1/32"(D)] | |
| Weight (approx.) | 460 g (1.01 lbs.) (without power cord) 450 g (0.99 lbs.) | |

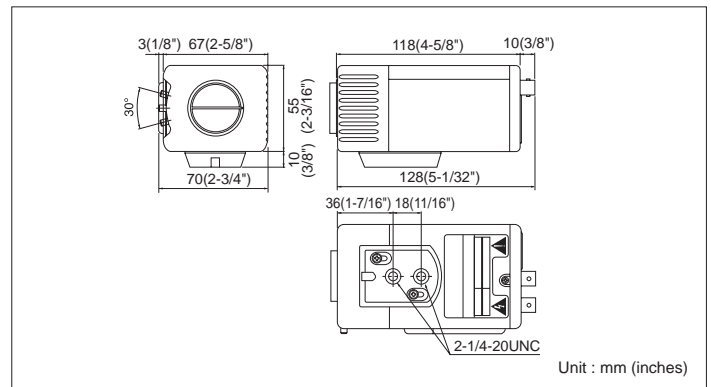
MAJOR OPERATING CONTROLS



OPTIONAL COMPONENTS

| | |
|--|---|
| DIGITAL DISK RECORDERS WJ-HD500A (with 16ch Multiplexer) WJ-HD100  | DIGITAL MULTIPLEXERS WJ-FS616C (16ch) WJ-FS416 (16ch) WJ-FS216 (16ch) WJ-FS409 (9ch)  |
| MATRIX SYSTEM 500  | COLOR MONITORS WV-CM2080 51cm (20") WV-CM1780 41cm (16") WV-CM1480 36cm (14") WV-CM1420 34cm (13") WV-CM1020 22cm (9")  |

APPEARANCE



• Weights and dimensions are approximate. • Specifications are subject to change without notice. • These products may be subject to export control regulations.

Panasonic

Panasonic Security & Digital Imaging Company
A Division of Matsushita Electric Corporation of America

Security Systems Group

Executive Office : One Panasonic Way 3E-7, Secaucus, New Jersey 07094

Zone Office
Eastern : One Panasonic Way, Suite 3E-7, Secaucus, NJ 07094 (201) 348-7303
Central : 1707 N.Randal Road, 1C-2, Elgin, IL 60123 (847) 468-5211
Western : 6550 Katella Ave., Cypress, CA 90630 (714) 373-7840

<http://cctv.panasonic.com/>

DISTRIBUTED BY:

PANASONIC CANADA INC.

5770 Ambler Drive, Mississauga, Ontario, L4W 2T3 Canada (905) 624-5010

PANASONIC SALES COMPANY

DIVISION OF MATSUSHITA ELECTRIC OF PUERTO RICO, INC.

San Gabriel Industrial Park 65th Infantry Ave. KM. 9.5 Carolina, P.R. 00985 (809) 750-4300

Printed in Japan
WV-JHCP470T(2P-493A)